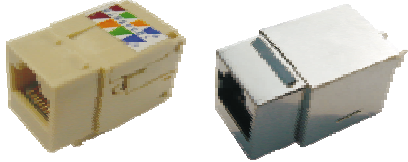
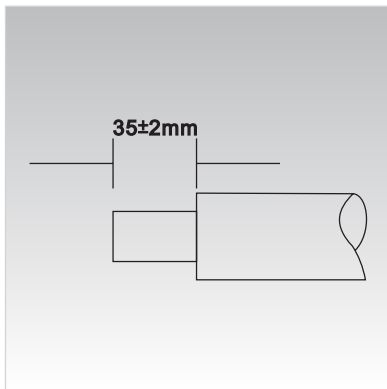


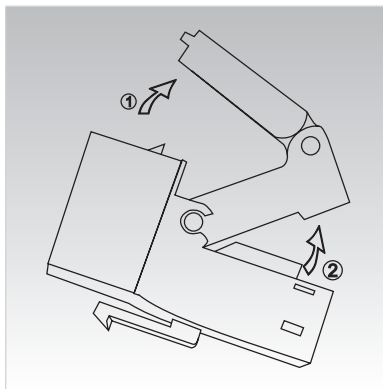
# CAT.5e/CAT.6 TOOLLESS KEYSTONE JACK

Toolless Keystone Jack Size: 30.5x16.3x17.5 (LxWxH) UTP & FTP version Category option: Cat.5e, Cat.6	568A		568B	
	Punch Down Terminals	T568A Wire Color	Punch Down Terminals	T568B Wire Color
	PIN-1	White/Blue	PIN-1	White/Blue
	PIN-2	Blue	PIN-2	Blue
	PIN-3	White/Green	PIN-3	White/Orange
	PIN-4	Green	PIN-4	Orange
	PIN-5	White/Orange	PIN-5	White/Green
	PIN-6	Orange	PIN-6	Green
	PIN-7	White/Brown	PIN-7	White/Brown
	PIN-8	Brown	PIN-8	Brown

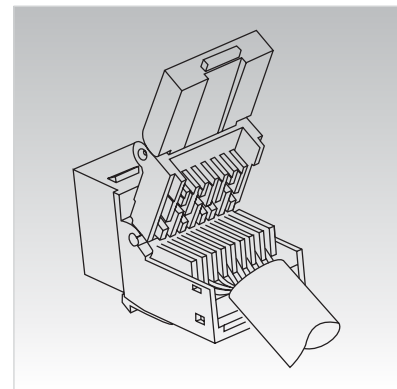
## INSTALLATION INSTRUCTION



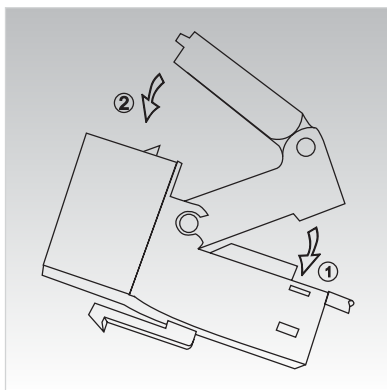
Step 1: Stripping: Use proper tool to strip LAN cable outer jacket.



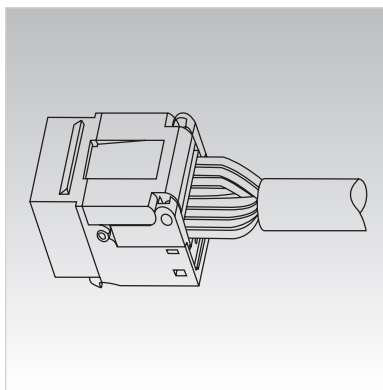
Step 2: Open wiring cap



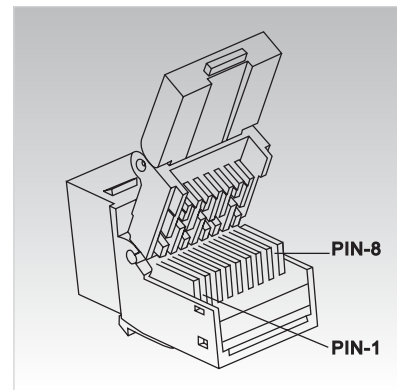
Step 3: Following color code T568A or T568B to insert all 4 pairs wire into slots on wiring cap



Step 4: Press down wiring cap



Step 5: Lock: Fold the locker 180 degree to lock the wiring cap to CAT005.

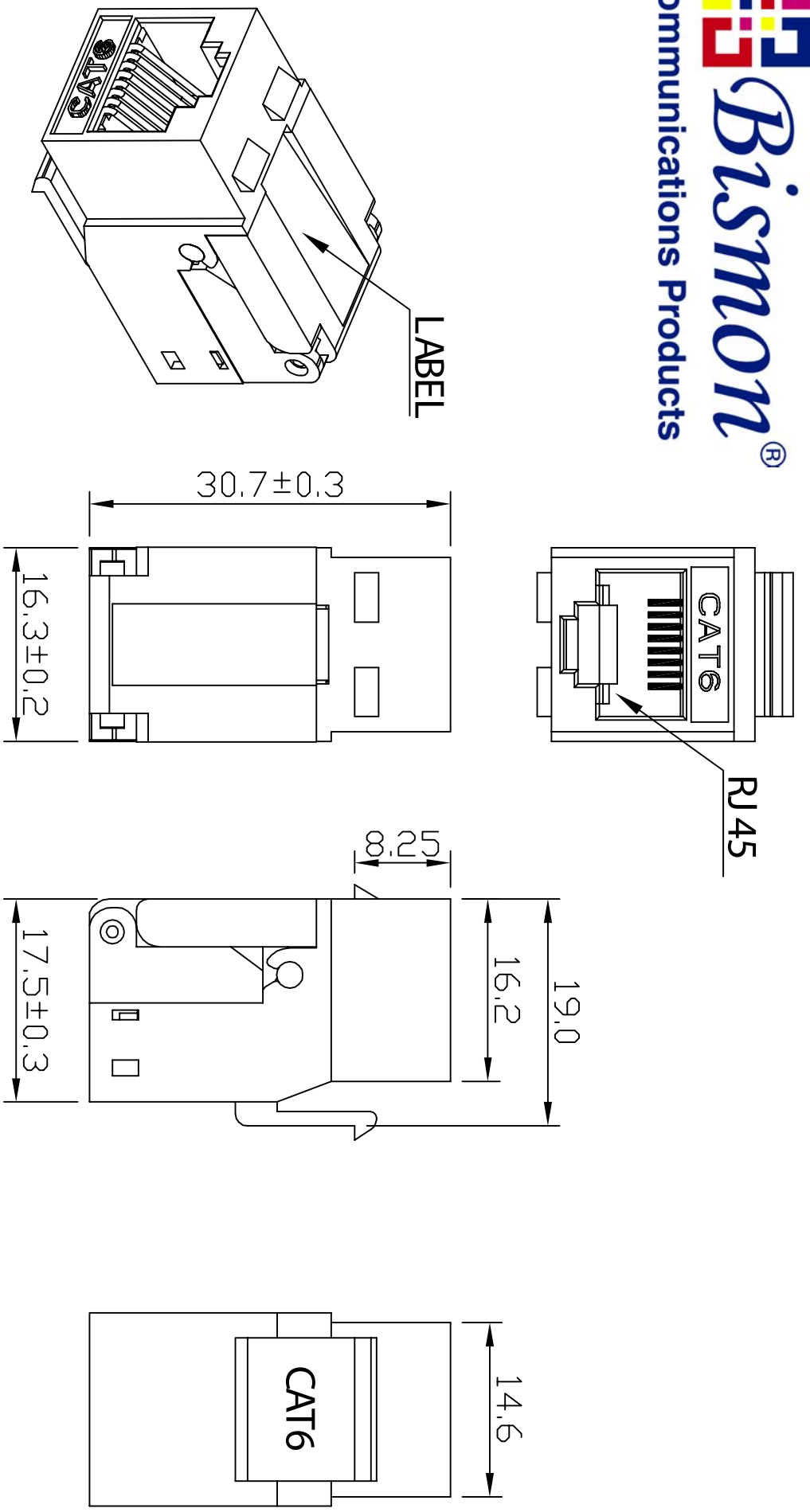


Wiring instruction.

### Ordering Information

BB1-BMC6TLS

Modular Keystone Jack Toolless Cat.6 for 24 Port Panel (Mini)



OTHER TOLERANCE: 0.1

APPROVED		CHECKED		DRAWING		DESIGNED		DESCRIPTION	FINISHED PRODUCTS	SCALE	FIT	UNIT	MM	IRD	ANGLE
		John Gao		Steven Cheng		John Gao		MODEL NO.	CAT6						
								DRAWING NO.	99-T5C6-XXXX						
								FINISHING							
								MATERIAL		SW					
											DATE	01/02/2007			REVISION
															A1